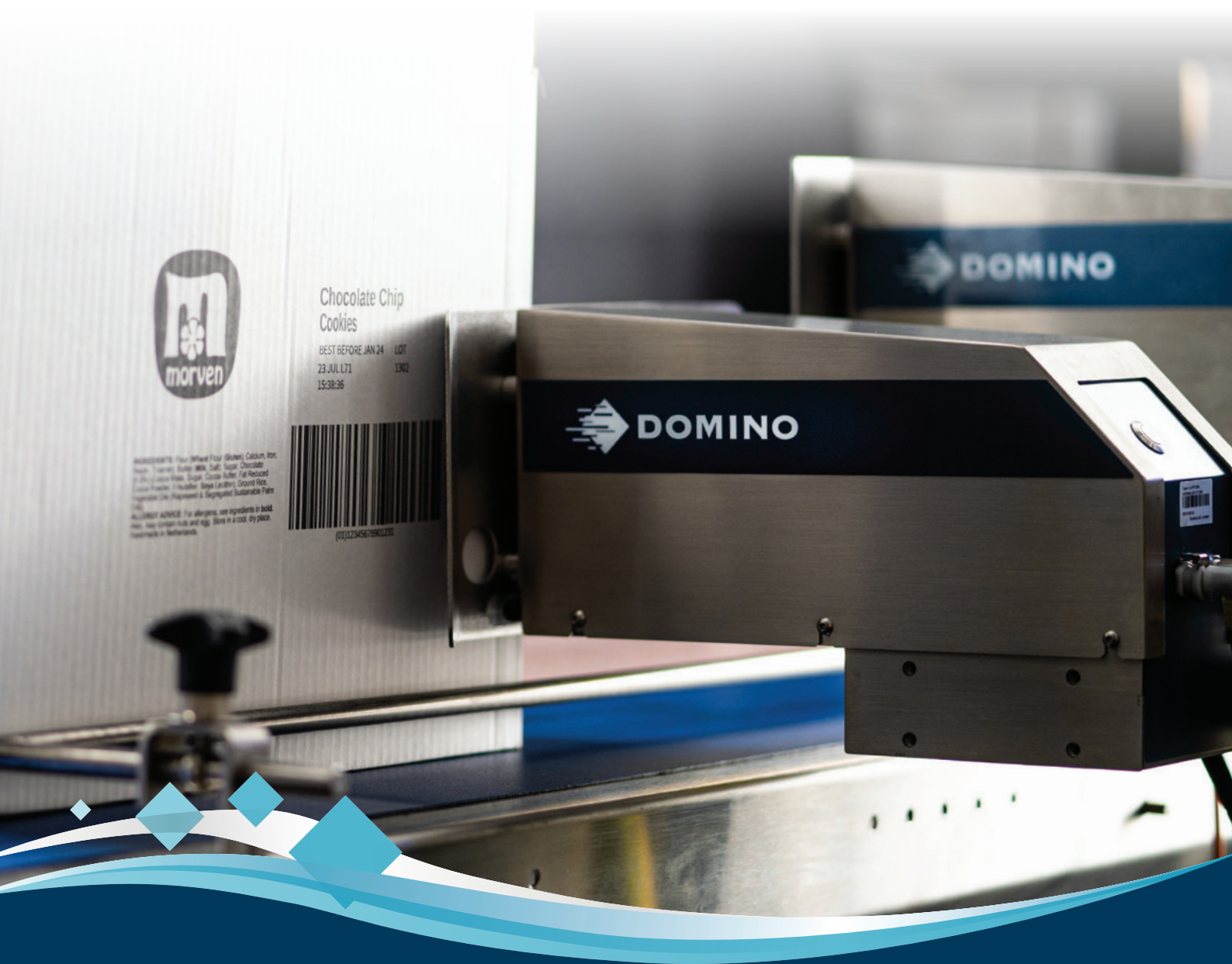




Big on Boxes

Cx350i High-Resolution Ink Jet Printer

Large format box coding for your Industry 4.0 factory



Domino. Do more.

Big on Code Quality

The **Cx350i** delivers consistent, high-contrast printing directly onto your porous boxes and cases



Unlock the power of direct box coding

- ◆ Brand logos and graphics
- ◆ Grade-A ID and 2D barcodes (including GSI-I28, GTIN-I4)*
- ◆ Product batch information and serialised data for product traceability
- ◆ Flexibility with the remote head to print downwards onto the top surface, to print lower onto the box/tray, to print on an incline, and to overcome space constraints
- ◆ Traverse the remote head to facilitate printing onto static boxes

Cost-effective, high-quality printing

- ◆ Less stock and waste from pre-printed boxes and labels
- ◆ Vegetable-oil-based, environmentally friendly inks
- ◆ Advanced technology with flexible print resolution for best code quality at lowest ink usage

Code accuracy and consistency

- ◆ Smart integration with coding automation software for accuracy
- ◆ Barcode scanner and vision control integration to confirm the readability of every printed code

*application dependent, based on ISO 15416



Green Credentials

Domino is committed to minimising the consumption of natural resources and energy and the creation of waste.

Direct box coding with Domino **Cx350i** can significantly reduce your environmental footprint. No factory air needed. No label waste, only vegetable-oil inks delivered in small drops to make great codes.

Big on Connectivity

The **Cx350i** is Industry 4.0 ready and designed for seamless integration

- ◆ A broad range of connectivity options for integration to factory equipment, using PLC standard interfaces including Ethernet/IP™
- ◆ Simple Text transfer solutions for integration with a variety of host packaging and processing machinery
- ◆ The **Cx350i** integrates with factory MES and ERP systems, via Domino's **QuickDesign** coding automation solutions
- ◆ **Domino Cloud** gives you 24/7 visibility of the printer's performance and utilisation, allowing you to drive overall equipment effectiveness (OEE) and maximise your profitability



Big on Usability

The **Cx350i** makes box coding easy

- ◆ Simple operation: with Domino's intuitive **QuickStep** touchscreen user interface, you can quickly adjust settings or create a whole new print layout from scratch
- ◆ Minimal intervention: the large-volume ink supply enables increased uptime
- ◆ No line stops: ink can be replenished during production
- ◆ Free from regular maintenance, with no factory air or filter changes

A complete solution

Our services are designed to provide operational insight so you can eliminate downtime and maximise production efficiency



Operational support

An outstanding level of care, wherever you are. Our **SafeGuard** packages provide high-quality, on-site assistance and AR-enabled remote guidance from our engineers. **SafeGuard** helps to ensure we can be with you when you need us most.

Automatic code inspection

Ensure every code that leaves your factory is present and correct, and free up operator time. With the R-Series, Domino's range of vision control systems, you can automate your code inspection to validate code presence, placement, and readability.

Control software

Minimise errors using Domino's **QuickDesign** software. Control your product codes from a central location and streamline product changeovers. **QuickDesign** uses standard communication protocols and can be integrated into existing ERP systems.

Smart production

Gain operational insight by connecting your printer to **Domino Cloud**. Obtain production analytics dashboards and receive system error alerts. **Domino Cloud** provides you with the information you need to run your operations more efficiently.

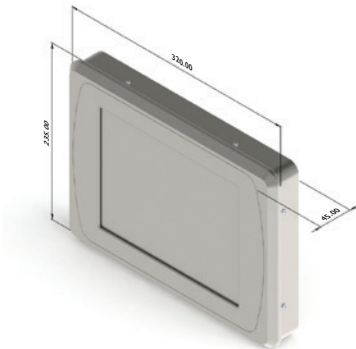
Technical specification

Cx350i

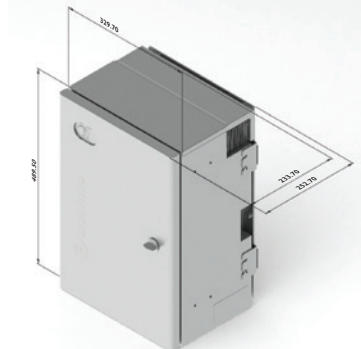
Base units	Cx-Inkbase 2PH Printheads (max.) 2 Internal ink reservoir 440ml	Cx-Inkbase 4PH Printheads (max.) 4 Internal ink reservoir 760ml
Dimensions	Width 329.7mm / Depth 233.7mm (252.70mm with mounting bracket) / Height 489.5mm Weight Cx-Inkbase 2PH: 13.55kg, Cx-Inkbase 4PH: 15.03kg Not including power button, latch, connector cover; bracket	
Electrical supply	Input: 100-240VAC, 50-60 Hz, Cx-Inkbase 2PH: 2A, Cx-Inkbase 4PH: 3A	
External connection options	1 x encoder input, 1 x I/O connector (4 x product detect sensor I/P, 5 x general purpose I/P, 8 x general purpose O/P, 3 x 24VDC O/P), 2 x USBs (type A), 1 x RS232C, 2 x RJ-45	2 x encoder input, 2 x I/O connector (4 x product detect sensor I/P, 9 x general purpose I/P, 12 x general purpose O/P, 4 x 24VDC O/P, 3 x alarm contacts), 2 x USBs (type A), 1 x RS232C, 2 x RJ-45
Printhead		
Dimensions (standard head)	Width 112.8mm / Depth 311.6mm / Height 190mm / Weight 4.22kg	
Dimensions (remote head)	Width 85.9mm / Depth 173.4mm / Height 130.2mm / Weight 1.73kg Conduit length 0.5m, 1.5m, 3.0m & 4.5m options	
Dimensions (remote head header tank)	Width 179.2mm / Depth 164.4mm / Height 121.8mm / Weight 2.27kg	
Electrical supply	24VDC (supplied from the inkbase unit)	
Resolution	Horizontal max. 300dpi, vertical 150dpi	
Print height	65mm max.	
TouchScreen		
User interface	TouchScreen 10" with QuickStep 3 software	
Dimensions	Width 320mm / Depth 45mm / Height 235mm / Weight 2.65kg	
System specification		
Operating temperature	5-40°C	
Operating relative humidity	10-90% RH (non-condensing, 10°C increase per hour)	
Finish (printhead and base unit)	Brushed stainless steel	
Protection printhead and inkbase	IP4X	
Consumables*	High-contrast, vegetable-oil-based inks available in 1.4 and 0.85 litre bottle sizes	
Communication	Ethernet / Dynamark protocol, EDC (serial, TCP, USB), optional: Ethernet/IP™ protocol Domino Cloud Interface (DCI), Domino coding automation	
Print speed	max. 210m/min. @100dpi, 100m/min. @200dpi, 70m/min. @300dpi	

*This product has a Quality Management System that means that it will only work with Domino circuitry, and it uses dynamic security measures to block non-Domino circuitry from being used. From time to time updates to the circuitry will be issued by Domino to maintain the effectiveness of the Quality Management System.

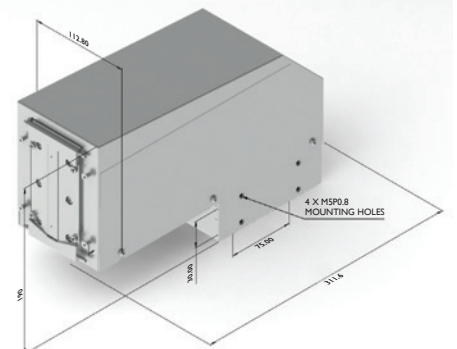
TouchScreen



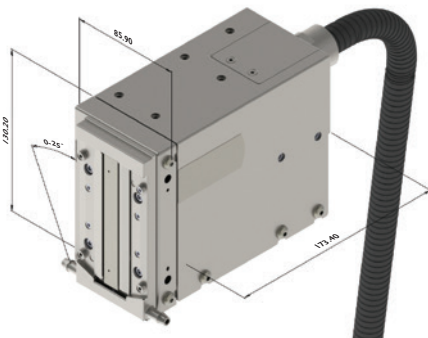
Base unit



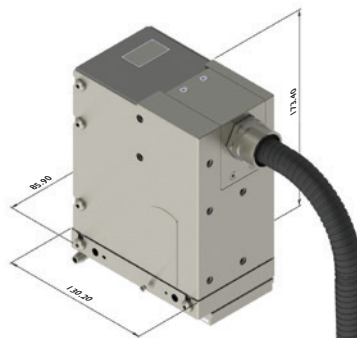
Standard printhead



Remote printhead – horizontal



Remote printhead – vertical



Remote printhead header tank

